

\*Not For Use With Potable Drinking Water Applications

**VALVES**

**GATE - BRASS  
150 WOG**

**FEATURES & APPLICATIONS:**

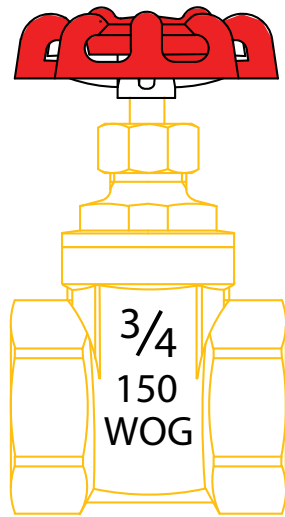
- 150 WOG/CWP
- Body; Brass
- Screwed Bonnet
- Disc; Brass Wedge Disc
- Handwheel Operated
- NPT Female Threads

**TECHNICAL DATA:**

- **WOG** = Rating indicates the maximum non-shock pressure at ambient temperatures at which the valve may be used.
- **CWP** = Cold working pressure

**WOG:** Water, Oil & Gas: This was an older, generic pressure rating call-out which has been largely replaced by CWP. In this designation, "GAS" refers to any non-flammable, compressible fluid in a gaseous state. It does not imply a product's suitability or third-party approval for use with flammable gases. Similarly, in this designation, "Oil" does not imply a product's third-party approval for use with any petroleum products.

BRASS		
Size	Thread	Part #
1/4"	NPT	GV 025
3/8"	NPT	GV 038
1/2"	NPT	GV 050
3/4"	NPT	GV 075
1"	NPT	GV 100
1-1/4"	NPT	GV 125
1-1/2"	NPT	GV 150
2"	NPT	GV 200
2-1/2"	NPT	GV 250
3"	NPT	GV 300
4"	NPT	GV 400



1/2 - 2

2 1/2 - 4

A ± 2.0mm

A ± 3.0mm

B ± 1.0mm

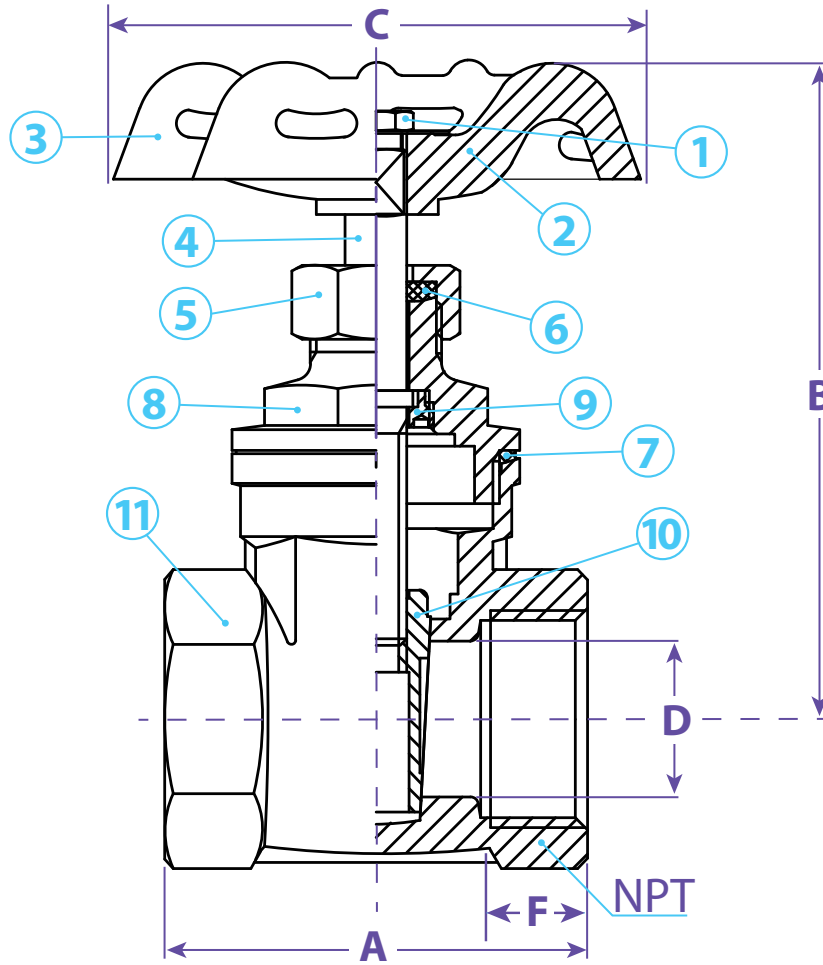
B ± 2.0mm

C ± 0.5mm

C ± 1.0mm

F ± 0.5mm

F ± 1.0mm



Dimensions						
Size	A	B	C	D	Weight	Part #
1/4"	1.61	2.76	2.13	0.39	0.55	GV 050
3/8"	1.61	2.76	2.13	0.39	0.55	GV 075
1/2"	1.69	2.83	2.13	0.50	0.59	GV 100
3/4"	1.85	3.31	2.13	0.75	0.77	GV 125
1"	2.13	3.86	2.40	0.94	1.06	GV 150
1-1/4"	2.40	4.57	3.03	1.25	1.54	GV 200
1-1/2"	2.56	4.92	3.03	1.48	2.11	GV 250
2"	2.83	6.02	3.27	1.94	3.17	GV 300
2-1/2"	3.50	7.32	4.13	2.48	3.79	GV 400
3"	2.83	8.70	4.41	2.95	8.10	GV 300
4"	3.50	10.16	6.67	3.62	20.94	GV 400

Nomenclature & Material		
No.	Description	Material
1	Nut	Steel plated ASTM A 108 Alloy G10100
2	Name Plate	Aluminum ASTM B 209 Alloy 1100
3	Handwheel	Cast Iron ASTM A 48 Class No. 35
4	Stem	Brass ASTM B 16 Alloy C36000
5	Packing Nut	Brass ASTM B 16 Alloy C36000 or B 584 Alloy C85700
6	Gland	Brass ASTM B 16 Alloy C36000
7	Packing	Graphite/Rubber Non-Asbestos
8	Bonnet	Brass ASTM B 584 Alloy C85700
9	Lock Nut	Brass ASTM B 16 Alloy C 36000
10	Wedge	Brass ASTM B 584 Alloy C85700
11	Body	Brass ASTM B 584 Alloy C85700

TITLE  
**GATE VALVE**

**DISCLAIMER**  
All drawings and specifications are subject to change without notice. Drawings represent general dimensions of our products. Seal Fast Inc. cannot guarantee the dimensions will exactly match those in the drawing. The drawing is the property of Seal Fast Inc. Copying or reproduction of this drawing is expressly prohibited.

MATERIAL  
**BRASS**

**DRAWING NOT TO SCALE**

PART #  
**GV...**